



SPILL TRAY - 30L

Ref. LABR30CNEWMP056F

Product information:

«Labo-Réten» range.

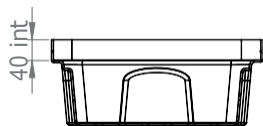
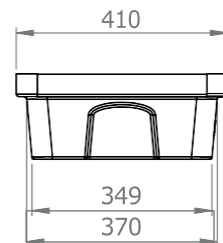
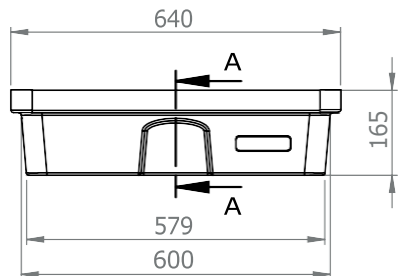
100% HDPE tray with grate.
 Removable PP grate with non-slip surface.
 Handles included in the tray
 Ergonomic and an esthetic design, useable in laboratory or schools. This new range offers you modern design with an ergonomic aspect and that is easy to clean.

Technical information:

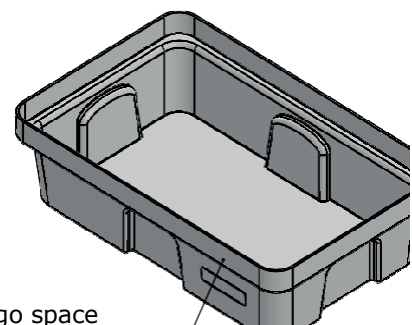
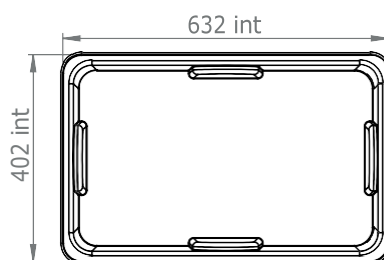
Dimensions (L x w x h) : 635 x 410 x 165 mm
 Grate dim. (L x w) : 622 x 392 mm
 Sump capacity : 30 L
 Load capacity : 60 kg
 Finish: Grey(MP00056)



DRAWINGS



CUT A-A



Logo space